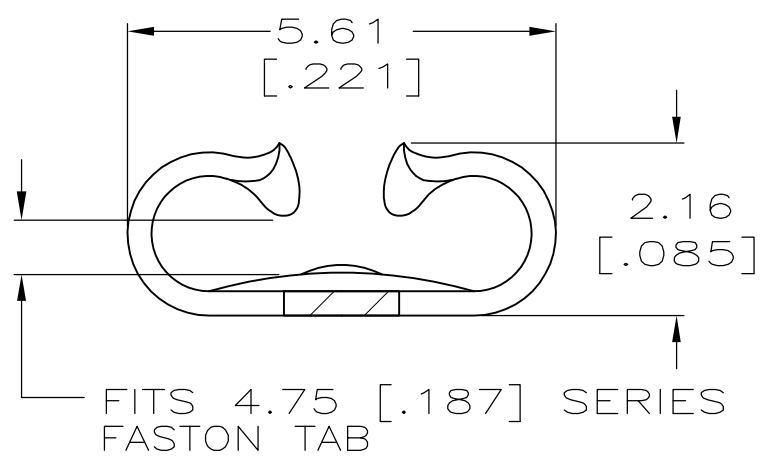
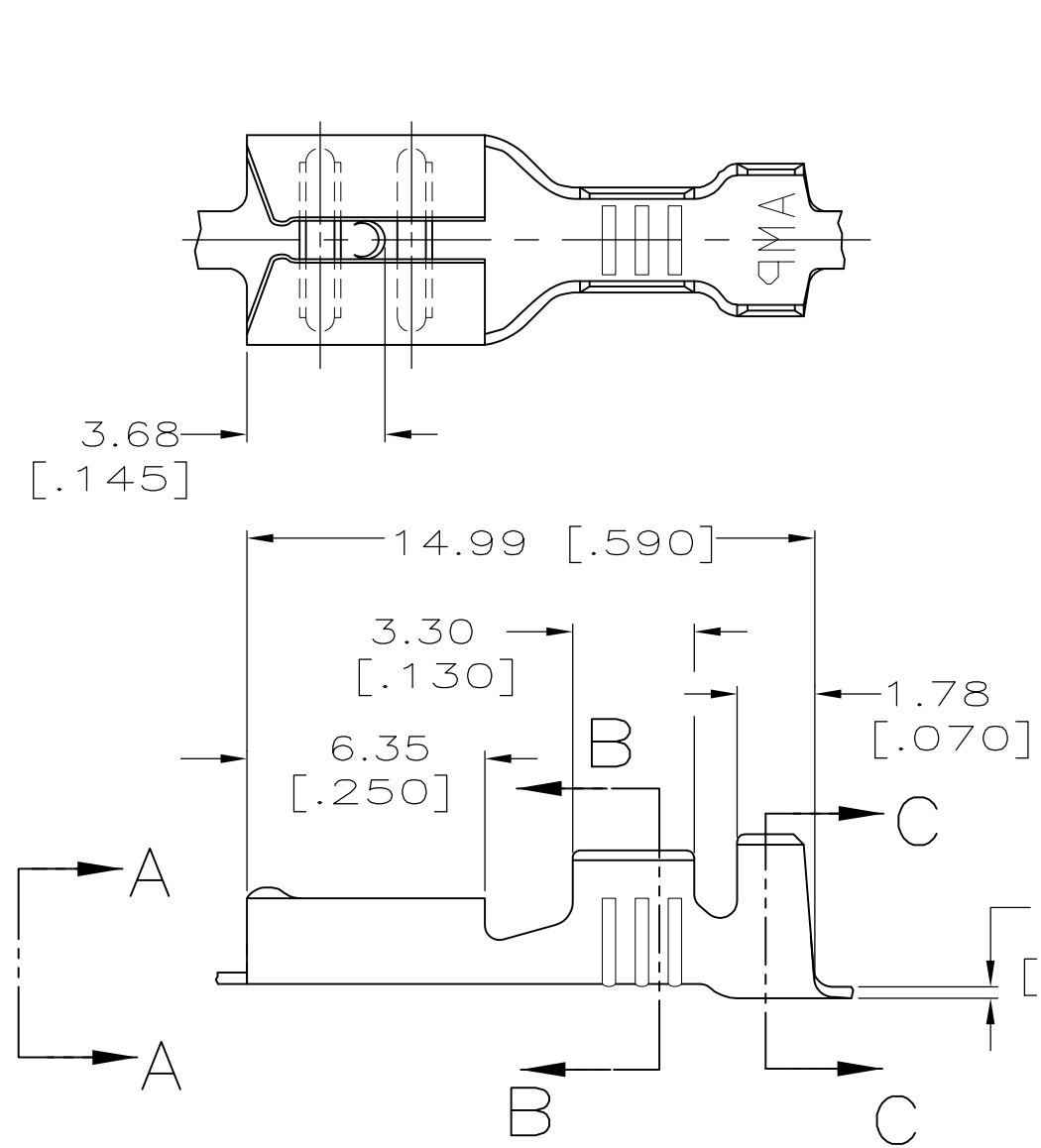


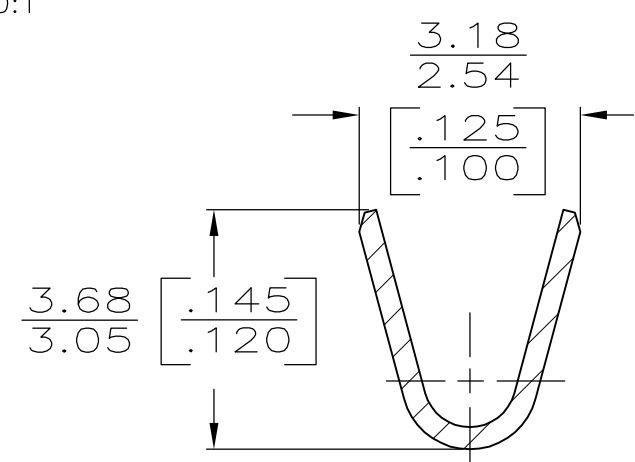
THIS DRAWING IS UNPUBLISHED. RELEASED FOR PUBLICATION  
 © COPYRIGHT - By - ALL RIGHTS RESERVED.

LOC	DIST	REVISIONS			
P	LTR	DESCRIPTION	DATE	DWN	APVD
AF	50	P	REVISED PER ECR-12-013445	18OCT12	KH PD

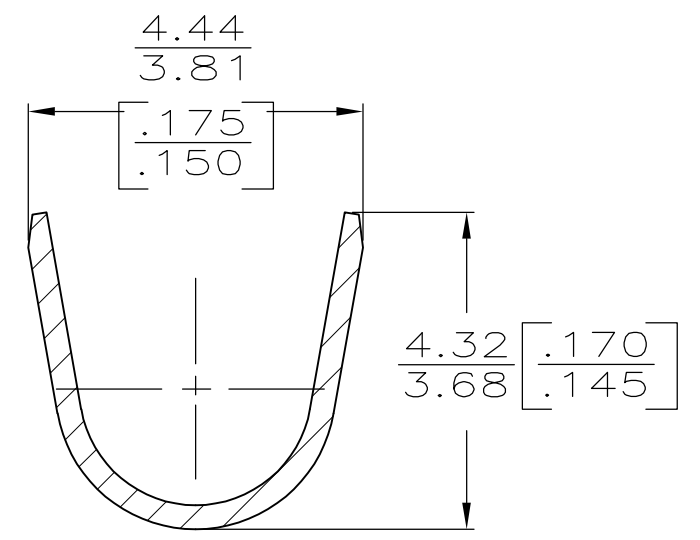
1 CONTINUOUS STRIP ON REELS



VIEW A-A  
SCALE 10:1



SECTION B-B  
SCALE 10:1



SECTION C-C  
SCALE 10:1

TIN	2.29-3.30 [.090-.130]	0.5-1.3mm <sup>2</sup> [20-16] AWG	0.51 [.020]	42801-2 42801-1
FINISH	INSULATION RANGE	WIRE SIZE	MATING TAB THK ±0.025 [.001]	PART NO.

THIS DRAWING IS A CONTROLLED DOCUMENT.		DWN JR RUTH 1/24/91	TE Connectivity <b>RECEPTACLE, FASTON,™</b> 4.75 [.187] SERIES		
DIMENSIONS: INCHES		CHK P FORTNEY 1/25/91			
TOLERANCES UNLESS OTHERWISE SPECIFIED:		APVD C MEYERS 1/25/91	NAME		
0 PLC ± - 1 PLC ± - 2 PLC ± 0.38 [.015] 3 PLC ± - 4 PLC ± - ANGLES ± -		PRODUCT SPEC	SIZE		
MATERIAL BRASS		FINISH SEE TABLE	APPLICATION SPEC	CAGE CODE A300779	DRAWING NO C-42801
		WEIGHT -	RESTRICTED TO		REV P
CUSTOMER DRAWING			SCALE 5:1	SHEET 1 OF 1	